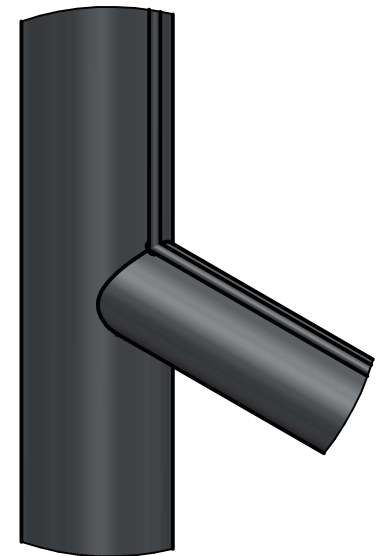
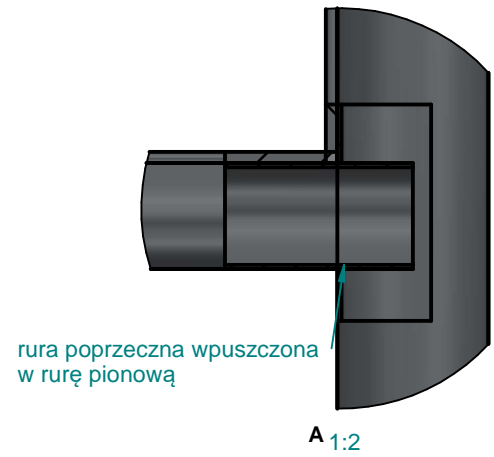
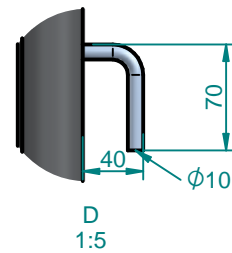
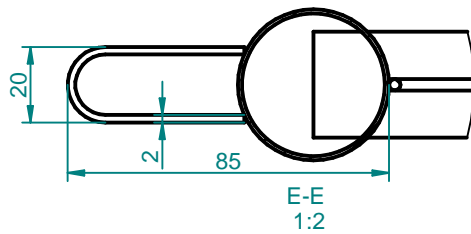


Szczegół C
1:2



| | | | | |
|--------------|---|----|---|------|
| CODE:10074.0 | Waga/Weight 7,5kg | A4 | Data 13.03.2024 | 1:20 |
| | Profi Business 2,2x1,2 <small>(druć 3mm x 106,8mm) wzdłużny (druć 3mm x 245mm) poprzeczny</small> | | | |
| | <small>The dimensional tolerance of the finished product is +/- 8%</small> | | <small>Wydanie</small> Arkusz 1 / 1 | |