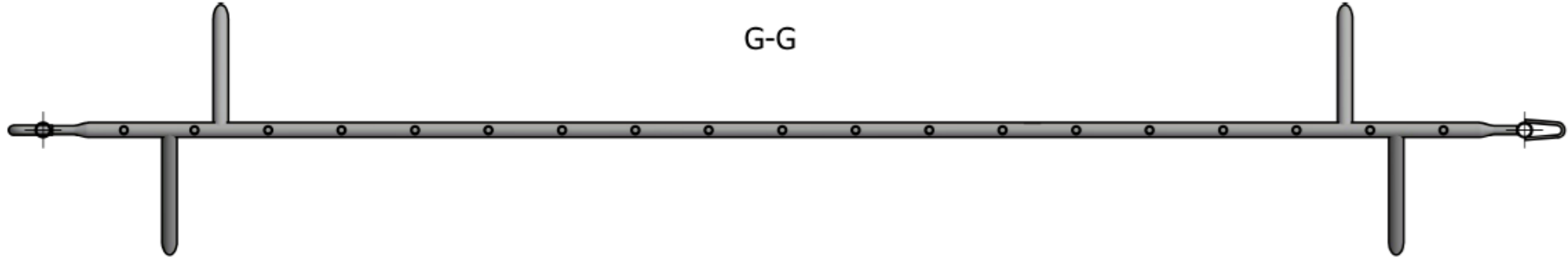
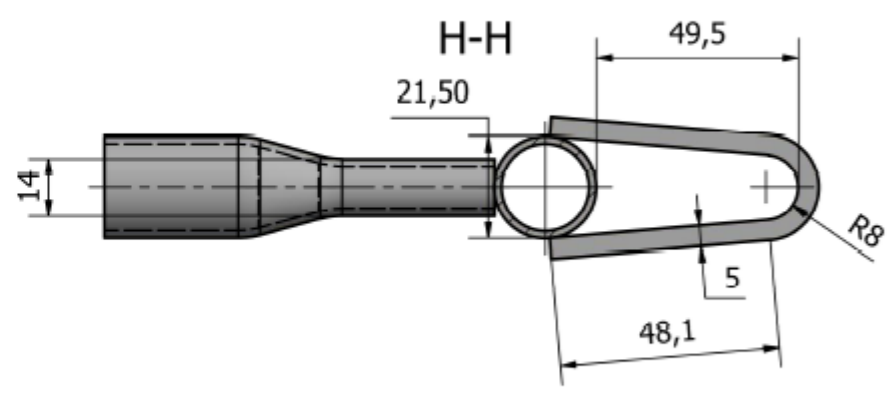
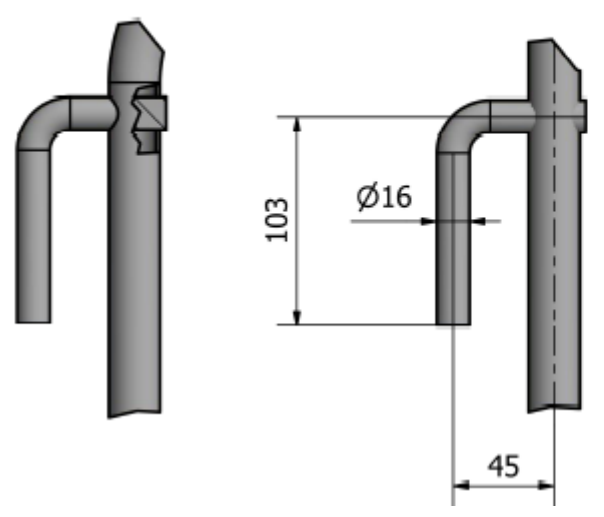


alle 4 Standrohre
Bohrung Ø8



E (1:3)

F (1:3)



CODE: 10026	Waga/Weight 14,5kg	A3	Data 27.02.2024	1:12
		Plotek.oddzielajacy.2500x1100.lekki		
The dimensional tolerance of the finished product is $\pm 0,8\%$		Wydanie	Arkusz 1/1	